

LS Oil Code No. 8491720

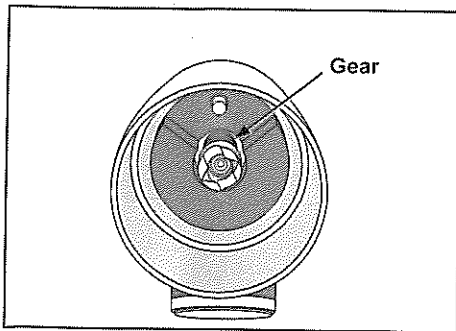


Cleaning and Lubricating the Contra Angle

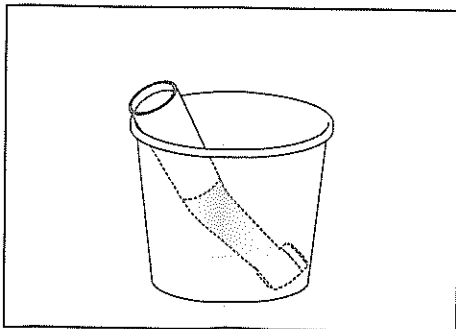
Lubricate the contra angle with LS Oil each time of autoclave sterilization.

⚠ NOTE

- *When lubricating the contra angle, use only LS Oil.*



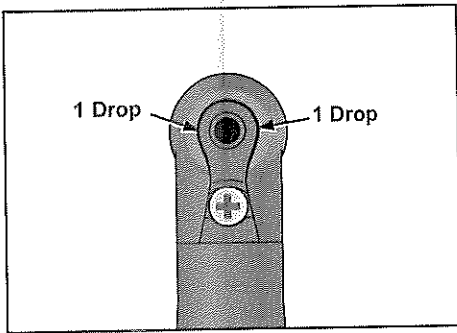
1. Put 5 drops of LS Oil on the gear.



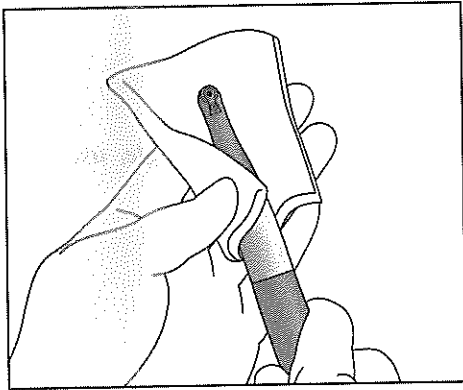
2. Place the contra angle in a paper cup with the connection end facing up and wait for 10 minutes.

⚠ NOTE

- *Leave the contra angle in a paper cup for at least 10 minutes so that the oil is thoroughly absorbed by the contra angle mechanism.*
- *Put the cap on after use. Oil could seep out if the container is tipped over or the nozzle points down.*
- *After lubricating, wipe oil from the outside of the nozzle. Otherwise oil may seep out from under the cap.*
- *Stand the contra angle up in the cup with the opening for the file facing down.*



- Put a drop of LS oil in each of the two points between the electrode cap and the contra head as indicated by the arrows in the illustration.



- Take the contra angle out of the paper cup and wipe off any excess oil which may have seeped out.

△ NOTE

- The micromotor could be damaged if the contra angle is attached without allowing the excess oil to drain out first.*